

# V-NHV24 Actuator Series

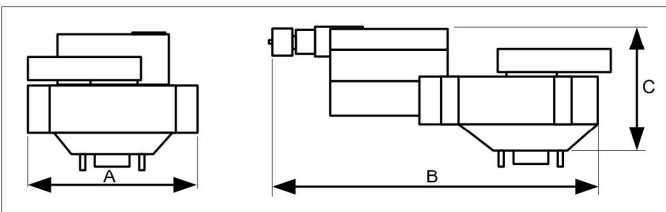
On/Off, Floating (3-Point), Modulating  
Non-Spring Return



Specification		(F) Floating, On/Off †	(M) Modulating †
Control	Signal	On/Off, Floating (3-Point)	2-10 VDC, 4-20mA
	Input Impedance	600 Ω	100 kΩ(0.1mA) 500kΩ
	Feedback Signal		1-10 VDC (max 0.5 mA)
Power	Voltage AC	24 VAC 50/60 Hz ± 20%	
	Voltage DC	24 VDC ±10%	
	Overload Protection	Electronic overload protection	
	Consumption Running	4.0 W	4.5 W (2W)
	Consumption Holding	2 W	0.4 W
	Transformer	6 VA (Class 2)	6,5 VA (Class 2)
Operation	Connection	Terminals, Plenum rated cable 18 GA: 3 Ft.(1 m), 10 Ft. (3 m)	
	Runtime (Motor)	150 seconds	
	Manual Override	Push-button	
	Rotation Angle	90°, adjustable using Screwed tabs	
	Rotation Direction	Direction Switch ↺ ↻	
	Position Indicator	Manual Knob	
Housing	Protection	NEMA 2 / IP54	
	Rating	UL94-5VA	
Temp.	Ambient	-22°F to 122°F (-30°C to 50°C)	
	Storage	-40°F to 176°F (-40°C to 80°C)	
	Humidity	5 to 95% non-condensing	
Agency Listing	<ul style="list-style-type: none"> <li>• cULus UL 60730-1A/-2-14,</li> <li>• CAN/CSA E60730-1:02,</li> <li>• CE according to 2004/108/EC and 2006/95/EC for line voltage</li> </ul>		

† Rated impulse voltage 800V, Control pollution degree 3, Type of action 1

## Dimensions



A		B		C	
inch	mm	inch	mm	inch	mm
5.3	135	9.5	241	4.0	102

Meets cULus or UL and CSA requirements without the need of an electrical ground connection.

Floating, On/Off: V-NHV24F  
Modulating: V-NHV24M

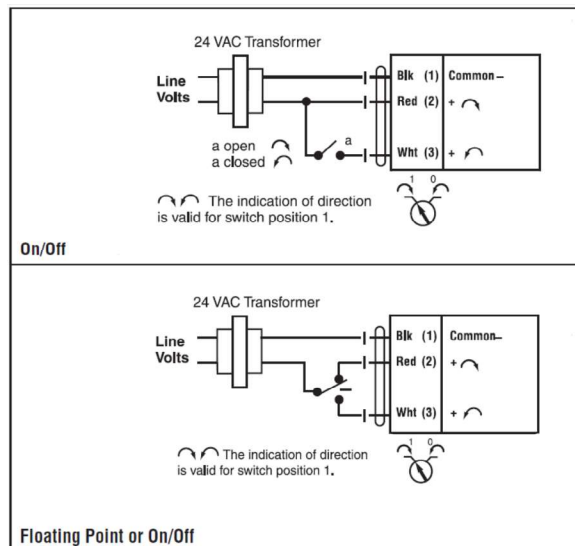


## WARNING



Connect the Actuator Common to the Controller Hot connection. Actuator must be installed by licensed or electrically trained technician. Failure to follow electrical safety precaution when working with live electrical connection could result in injury or death.

## Floating and On/Off Wiring



## Modulating Wiring

